

Control Circuit Connections

Type FS (Shallow) and Type FD (Deep)

Aluminum boxes have 6-32 cover mounting holes tapped to accommodate all FS and FD cover assemblies.

Brass boxes have 10-24 cover mounting holes tapped to accommodate all FS and FD cover assemblies.



Single-Gang



Two-Gang



DSFD

| GANGS | TYPE | CAST ALUMINUM | CAST BRASS | OVERALL DIMENSIONS* |
|--------|------|---------------|------------|-----------------------|
| Single | FS | 3701A | 3721-RS | 4.12" x 2.62" x 2.31" |
| | FD | 3711A | 3731-RS | 4.12" x 2.62" x 2.94" |
| | DSFD | 3781A | — | 4.12" x 3.62" x 4.12" |
| Two | FS | 3702A | 3722-RS | 4.12" x 5.5" x 2.25" |
| | FD | 3712A | 3732-RS | 4.12" x 5.62" x 2.87" |

* Dimensions are overall exclusive of conduit pads and mounting lugs.

Notes:

When Type FD devices are to be mounted in boxes, Type FD boxes should be used. FS boxes will not accommodate FD devices.

Mounting — All the above boxes are for surface mounting. For flush mounting, see **page H-441**.

Boxes — Cast brass, natural finish. Cast aluminum, corrosion-resistant, copper-free alloy, epoxy powder-coat finish.

Outlets — Unless otherwise specified, furnished with one .75" outlet per gang, top or bottom. Additional outlets charged extra — see price list. Specify size and location.

Maximum Conduit — FS and FD: 1"; one per gang top and bottom and one each side.

DSFD — One 1.5" or two .5" top and bottom.

Cast iron available on special order — consult your Thomas & Betts representative.

Type FSWS and FDWS (with Mounting Shelf for Box-Mounted Devices)

Aluminum die-cast boxes with cover mounting holes tapped for 6-32 screws to accommodate all FS and FD cover assemblies.



| CAT. NO. | STANDARD OUTLETS | |
|----------|------------------|--------|
| | TOP | BOTTOM |
| FSWS-62 | ¾" | NA |
| FDWS-62 | ¾" | NA |
| FDWS-622 | ¾" | ¾" |
| FDWS-63 | 1" | NA |
| FDWS-633 | 1" | 1" |

Note:

Boxes — Aluminum die-cast, corrosion-resistant copper-free alloy, epoxy powder-coat finish.

Outlets — Standard as listed.

Mounting — All of the above boxes are for surface mounting.

Control Circuit Connections

Control Circuit Connector Accessories

Adapter Flush Frames*

| GANGS | CAST ALUMINUM | CAST BRASS | OVERALL DIMENSIONS |
|-------|---------------|------------|--------------------|
| 1 | 3671A | 3681 | 5" x 3.5" |
| 2 | 3672A | 3682 | 5" x 6.5" |

* Furnished complete with gasket and screws.

Material — Cast aluminum, corrosion-resistant copper-free alloy, epoxy powder-coat finish.
Cast brass, natural finish.



Blank Cover*

Covers standard FS/FD™ box openings.

| CAT. NO. | MATERIAL |
|----------|---------------|
| 3677A | Cast Aluminum |
| 3687 | Cast Brass |

* Furnished complete with gasket and screws.

Material — Cast aluminum, corrosion-resistant copper-free alloy, epoxy powder-coat finish.
Cast brass, natural finish.



Flush Wall Mounting Extension*

| CAT. NO. | MATERIAL |
|----------|---------------|
| 3679A | Cast Aluminum |
| 3679B | Cast Brass |

* Furnished complete with gasket and screws.

Material — Cast aluminum, corrosion-resistant copper-free alloy, epoxy powder-coat finish.
Cast brass, natural finish.



45° Angle Adapter*

Mounts to any FS/FD™ box.

| CAT. NO. | MATERIAL |
|----------|---------------|
| 3678A | Cast Aluminum |
| 3678B | Cast Brass |

* Furnished complete with gasket and screws.

Material — Cast aluminum, corrosion-resistant copper-free alloy, epoxy powder-coat finish.
Cast brass, natural finish.



Adapter Sub-Plate

The addition of this adapter sub-plate will permit the use of Ever-Lok® conduit box-type receptacles in switch boxes or outlet boxes with raised covers, as listed. Used on standard (deep) stamped metal conduit boxes. Adapts two-hole to four-hole patterns.

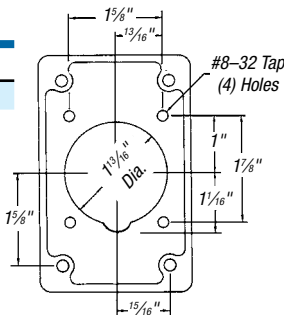
| CAT. NO. | MATERIAL |
|----------|---------------|
| 8091A | Cast Aluminum |



SKWM Mount Adapter Plate

Used to mount SKWM to FS/FD™ standard series boxes.

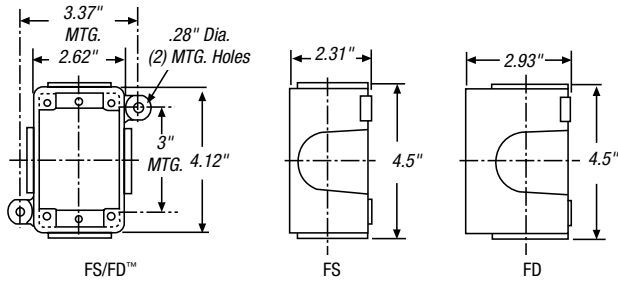
| CAT. NO. | MATERIAL |
|----------|----------|
| SKWMFS | Aluminum |



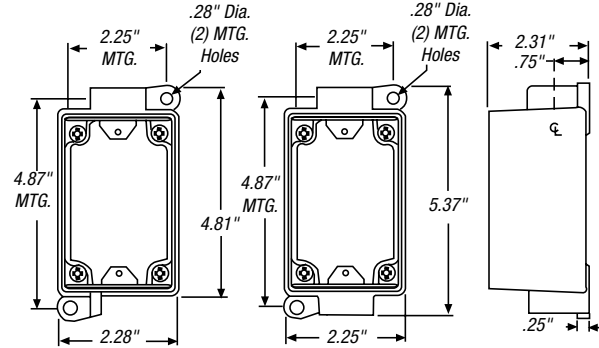
Control Circuit Connections

Type FS and FD

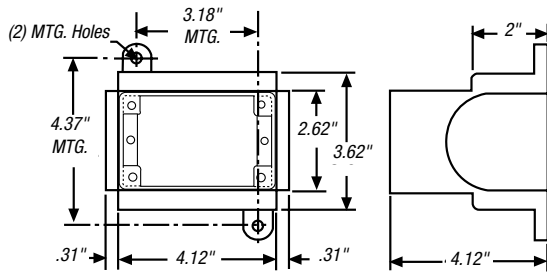
Single-Gang



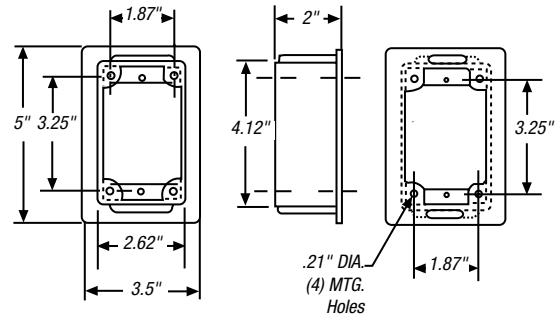
Type FSWS and FDWS



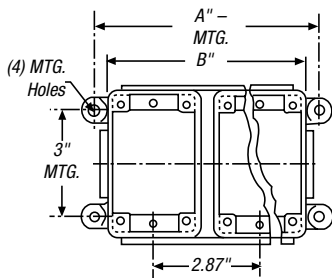
DSFD



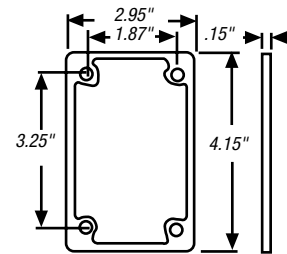
Flush Mounting Extension



Multiple-Gang



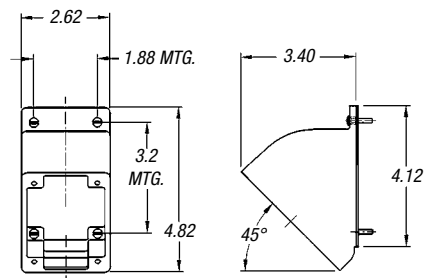
Blank Cover



Multiple-Gang Dimensions

| NO. OF GANGS | A | | B | |
|--------------|-------|-------|-------|-------|
| | FS | FD | FS | FD |
| 2-Gang | 6.50" | 6.50" | 5.50" | 5.62" |

45° Angle Adapter



Control Circuit Connections

Combination Gland Nut and Cable Clamp



Provides extra clamping protection in hard service applications. Relieves terminals and rubber gland of all cable strain.

| PLUG OR CONNECTOR SIZE | CAST ALUMINUM CAT. NO. | CAST BRASS CAT. NO. | MAX CABLE DIA. |
|------------------------|------------------------|---------------------|----------------|
| 20 Amp and SKW | 3906 | 3906B | 1 1/8" |

Note: Material — Cast aluminum, corrosion-resistant copper-free alloy, epoxy powder-coat finish or cast brass, natural finish.

Adapters for Conduit



Adapter tapped with NPT thread to accommodate armored and non-metallic cable or flexible conduit.

| PLUG OR CONNECTOR SIZE | CAST ALUMINUM CAT. NO. | CAST BRASS CAT. NO. | TAPPED HOLE NPSM |
|------------------------|------------------------|---------------------|------------------|
| 20 Amp and All SKW | FSA21 | FSA21B | 1/2" |
| | FSA22 | FSA22B | 3/4" |
| | FSA23 | FSA23B | 1" |

Cable Bushings

| HOLE DIAMETER FOR CABLE | SIZE 3 20 AMP |
|-------------------------|---------------|
| .375" | JG31 |
| .500" | JG32 |
| .563" | JG325 |
| .625" | JG33 |
| .750" | JG34 |
| .875" | JG35 |
| 1.000" | JG36* |
| 1.125" | JG361** |

Material — Oil-resistant Neoprene.

Size 3 Cable Bushing:

* Style for maximum cable only.

** Special minimum wall style.

Notes: When standard plugs or connectors are required to be furnished with one or more of the above accessories, add the suffix and catalog number of the accessory separated by a "/" to the catalog number of the plug or connector. Complete list price is the total of the list price of the device plus the list price of the accessory.

Example: Catalog No. SKP9G with 1" bushing would be Catalog No. SKP9G/JG36.



Size 3 Cable Bushing